

SR-4E-16 CLASSIC PRO BUBBLER, STAINLESS STEEL, GREY

SR4E16GRAY



RefCC001D (SR4E16GRAY)

Cold beverage dispenser - Classic Pro Bubbler 4x2.4 gallon, with new easy-off release bowl and high efficiency cooling system

General Features

CLASSIC PRO BUBBLER SR-4E is a cold drink premix dispenser, compact size, with 4x2.4 gallon capacity tanks.

The machine cools and dispenses ready-made drinks such as fresh juices, teas, cold brew coffee, cocktails, flavored water etc.

The unique evaporator and the high efficiency system cool faster and more efficiently for a quick start-up.

The superior engineering ensures a perfect temperature from the first to the last drop of dispensed product.

Two-piece dripless pouring valves are easy to use and clean.

Suitable for cups up to 9 inch height (22,9 cm).

New easy-off release bowl system, makes dismantling easier and reduces cleaning time.

Drinks mix using a magnetic submerged impeller. Agitators are provided with each unit. Panels are in stainless steel.

OPTIONS AVAILABLE:

- VALVE CAP: improves sealing of valve when using pulpy product
- FOUNTAIN SPRAY KIT: ideal to create a spectacular effect
- EXCLUSIVE AUTOFILL LID: retrofittable postmix Autofill Lid System increases consistency and exclude SR4E22290NEMA manual filling operations.

CRATHCO

SR-4E-16 CLASSIC PRO BUBBLER, STAINLESS STEEL, GREY

Specifications

- Easy-off bowl release system for faster and easier assembly and disassembly.
- User friendly design enables machine to dispense product till the very last drop.
- Suitable for cups up to 8 inch height (20 cm)
- Appealing cold drink dispenser equipped with 2 bowls, 2.4 gallons capacity each
- Agitation function, with low foam impeller cover special for fresh juices, coffees, vitamin waters or tea.

Construction

- Refrigerant type: R134a.
- Pre-mix dispenser with stainless steel base and clear plastic bowls.
- The air intakes from the bottom and exhaust to back.
- Magnetic Submerged impeller

SR-4E-16 CLASSIC PRO BUBBLER, STAINLESS STEEL, GREY

Electric

Supply voltage:	120 V / 1N ph / 60 Hz
Electrical power max.:	1 kW
Current consumption:	8.5 Amps
Plug type:	NEMA 5-15

Key Information:

Number of bowls:	4
Control board:	Mechanical
Bowl's capacity:	
Dimensions, Width:	20 5/8"
Dimensions, Depth:	17 3/16"
Dimensions, Height:	25 3/8"
Net weight:	87 lb

Refrigeration Data

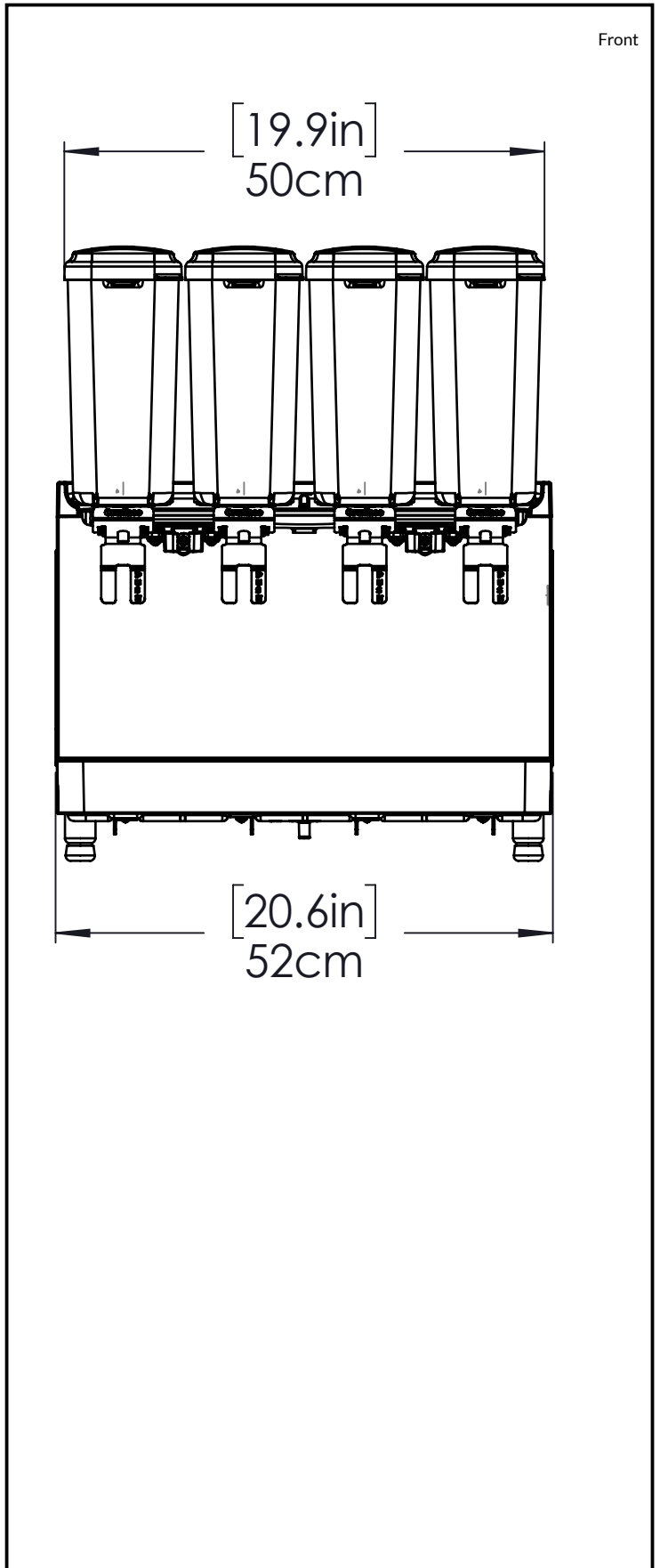
Refrigerant gas:

Certifications



The company reserves the right to make modifications to the products without prior notice. All information correct at time of printing.

2025.04.01



CRATHCO

www.crathco.drink-systems.com
infocrathco@electroluxprofessional.com